



Please keep this instruction sheet for future reference, as it contains important information.

Adult assembly is required.

Requires three "AA" batteries for operation (included).

Tool required for assembly: Short-shaft Phillips screwdriver (not included).

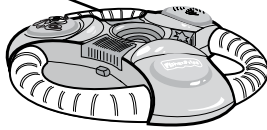


www.fisher-price.com

Stand-Up Ball Blast™

Parts

Electronic Top



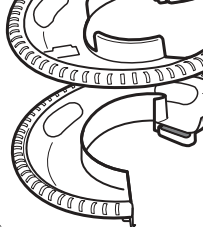
Track 3



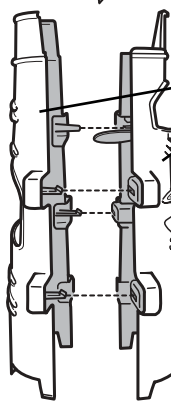
Track 2



Track 1



Center Tube
(2 Pieces)



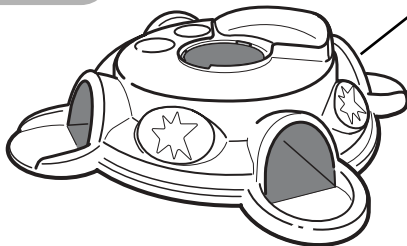
#6 x $\frac{3}{8}$ " - 9



#6 x $\frac{3}{4}$ " - 8

Screws Shown
Actual Size

Base



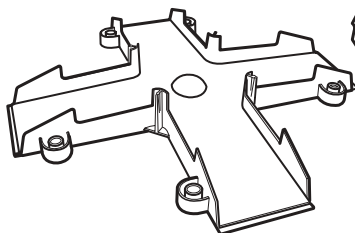
4 Balls



4 Feet



Bottom Track



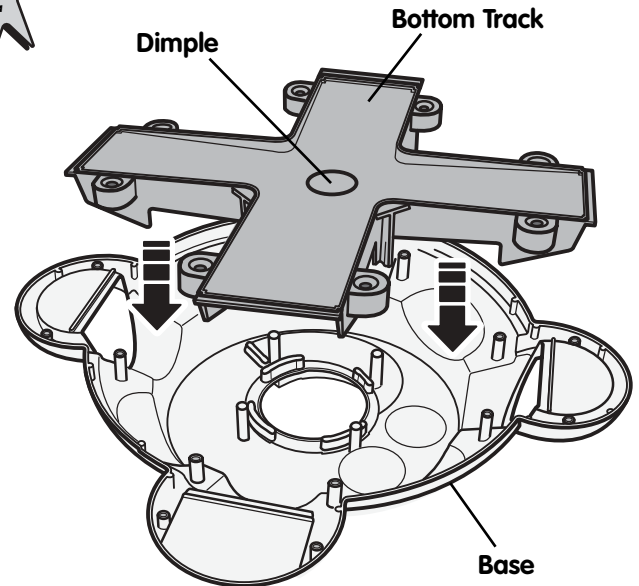
Not Shown: label sheet.

Assembly

⚠ CAUTION

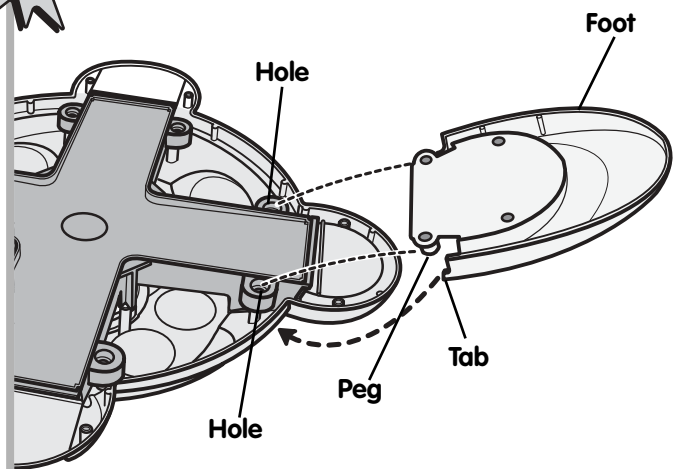
This product contains small parts in its unassembled state. Adult assembly is required.

1



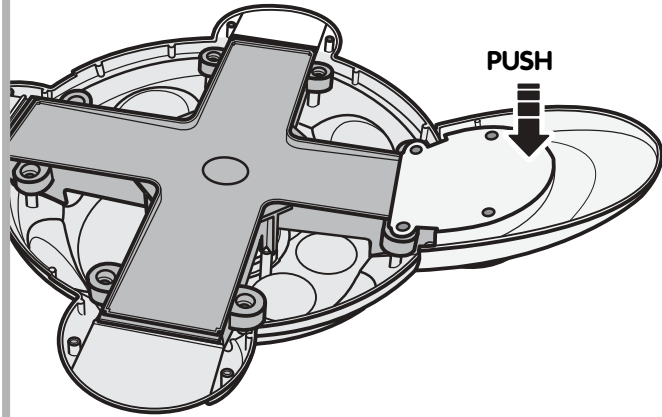
- Place the base upside down on a flat surface.
- Identify the side of the bottom track with the dimple.
- Place the bottom track onto the pegs on the base with the dimpled side facing you.

2



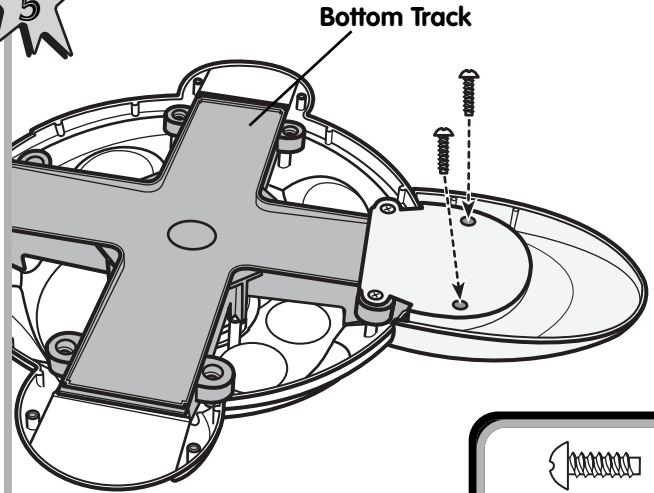
- Insert the tabs on on each edge of a foot under the edge of the base so that you can fit the pegs on the foot into the holes on the bottom track.

3



- Push down in the center of the foot to “snap” it into place.
- Be sure the tabs are under the edge of the base and the pegs fit snugly in the holes on the bottom track.

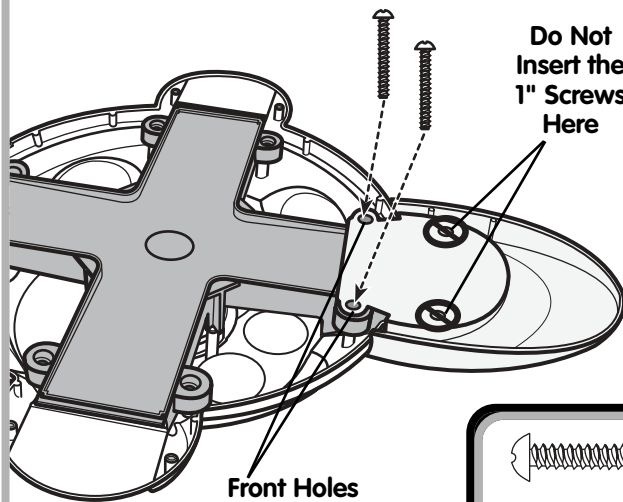
5



#6 x 3/8" - Screw
Shown Actual Size

- Insert two #6 x 3/8" screws through the remaining two holes in the foot and into the base, as shown.
- Tighten the screws with a Phillips screwdriver. Do not over-tighten.
- Repeat steps 2 through 5 to attach the other three feet.
- Turn the base over.

4

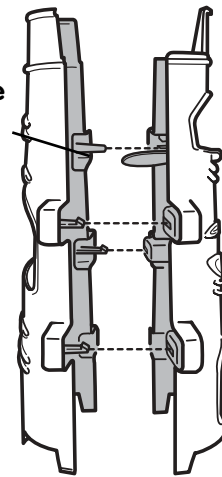


#6 x 3/4" - Screw
Shown Actual Size

- Insert two #6 x 3/4" screws through the front holes in the foot and into the base, as shown.
- Tighten the screws with a Phillips screwdriver. Do not over-tighten.

6

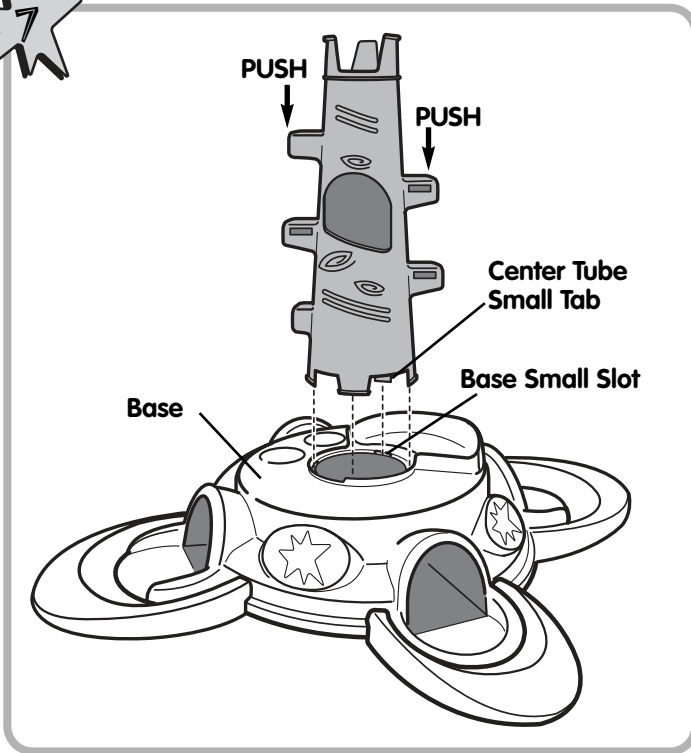
Center Tube Piece



Center Tube Piece

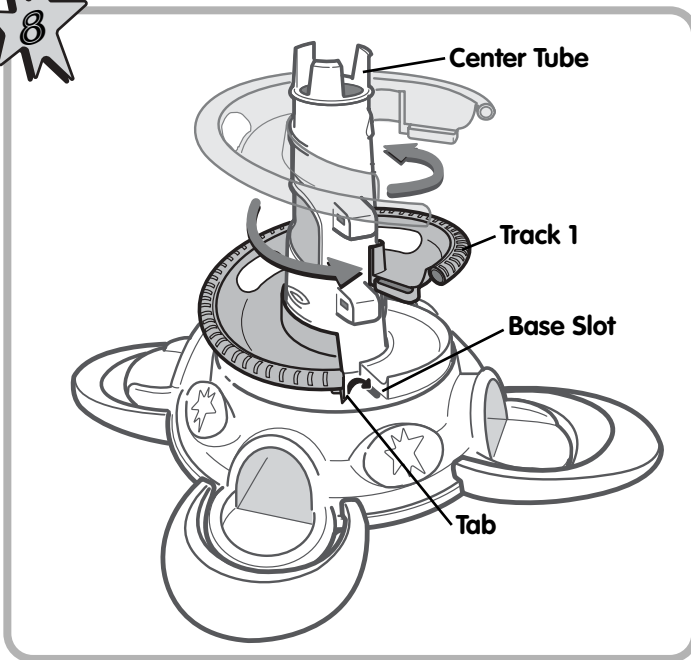
- Insert and “snap” the tabs on one of the center tube pieces into the slots in the other center tube piece.

7



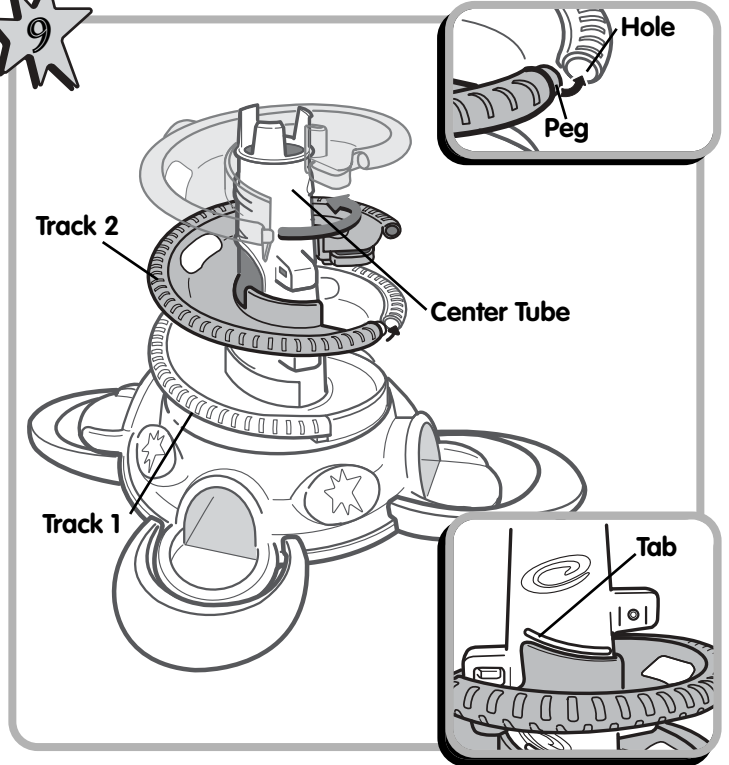
- Align the smallest tab on the center tube with the smallest slot in the base. Push down on the track support to **"snap"** the center tube into place.

8



- Locate track 1. Position track 1 with the grooved side up.
- Fit track 1 onto the center tube. Rotate it counter-clockwise until it reaches the base.
- Insert and **"snap"** the tab on the end of track 1 into the slot in the base.

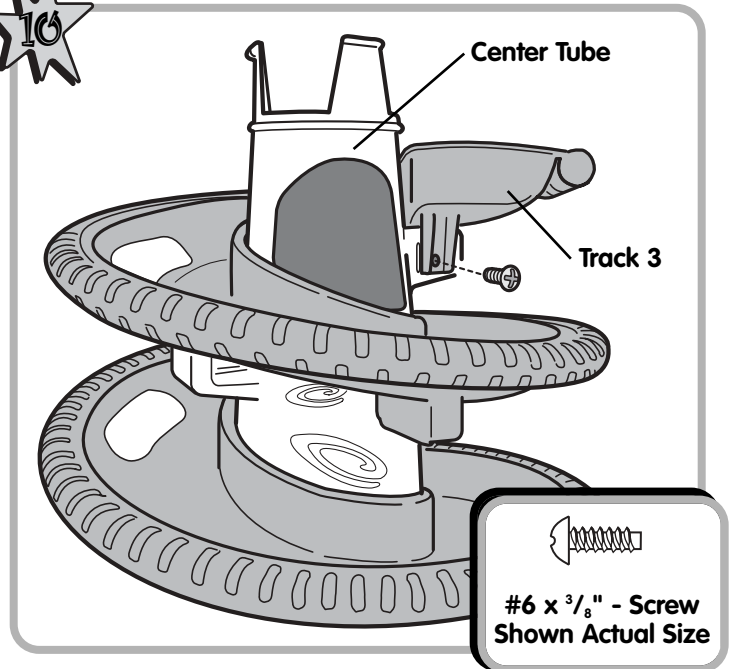
9



- Position track 2 with the grooved side up. Fit track 2 onto the center tube.
- Rotate track 2 counter-clockwise until it meets track 1. Insert and **"snap"** the tab on the end of track 2 into the slot in track 1. Be sure the peg on the end of track 2 fits into the hole in track 1.
- Repeat this process to assemble track 3 to track 2.

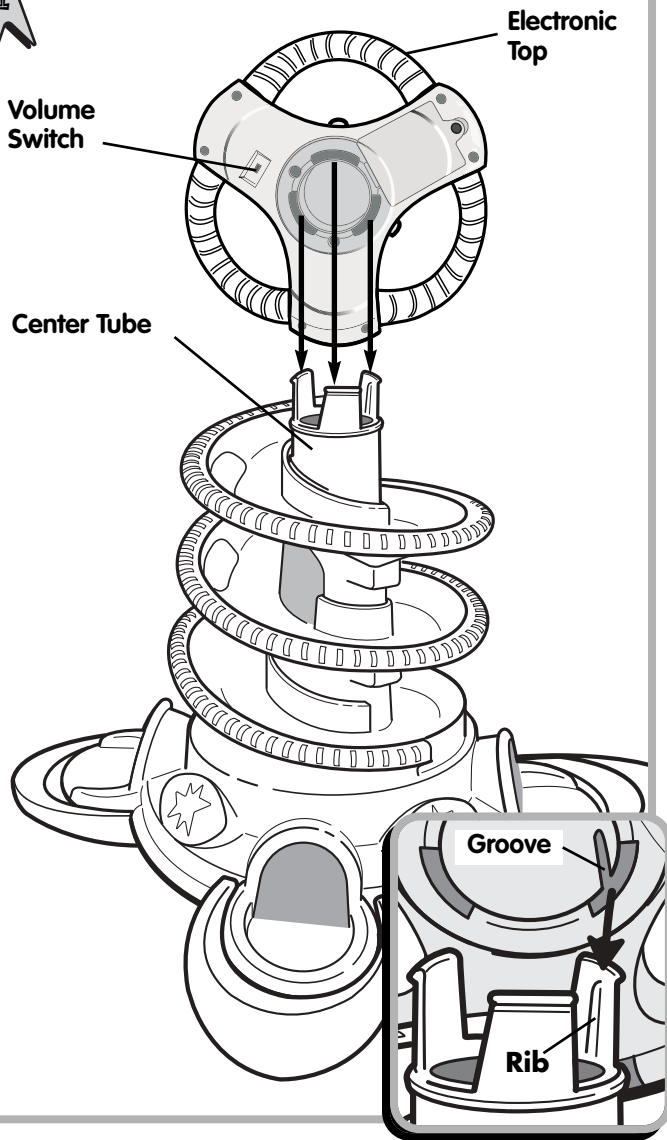
Hint: When the tracks are properly fitted on the center tube, a tab on the center tube should be visible above each track.

10



- Insert a #6 x $\frac{3}{8}$ " screw through the hole in track 3 and into the tube. Tighten the screw with a Phillips screwdriver. Do not over-tighten

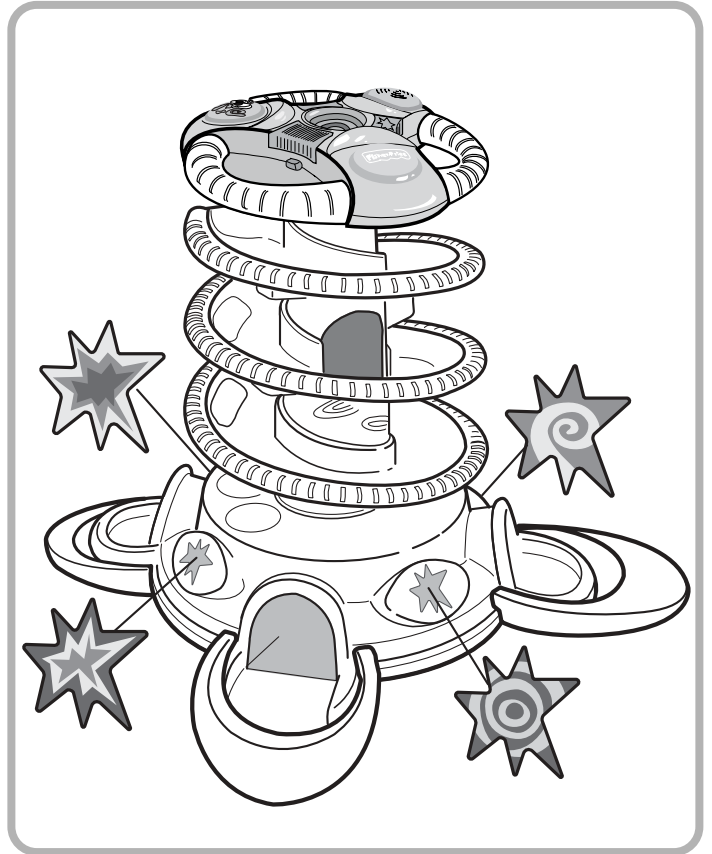
11



- Match the ribbed tab on the center tube with the grooved slot in the electronic top.
- Push down on the electronic top to **"snap"** it into place. Pull up on the electronic top to be sure it is secure.

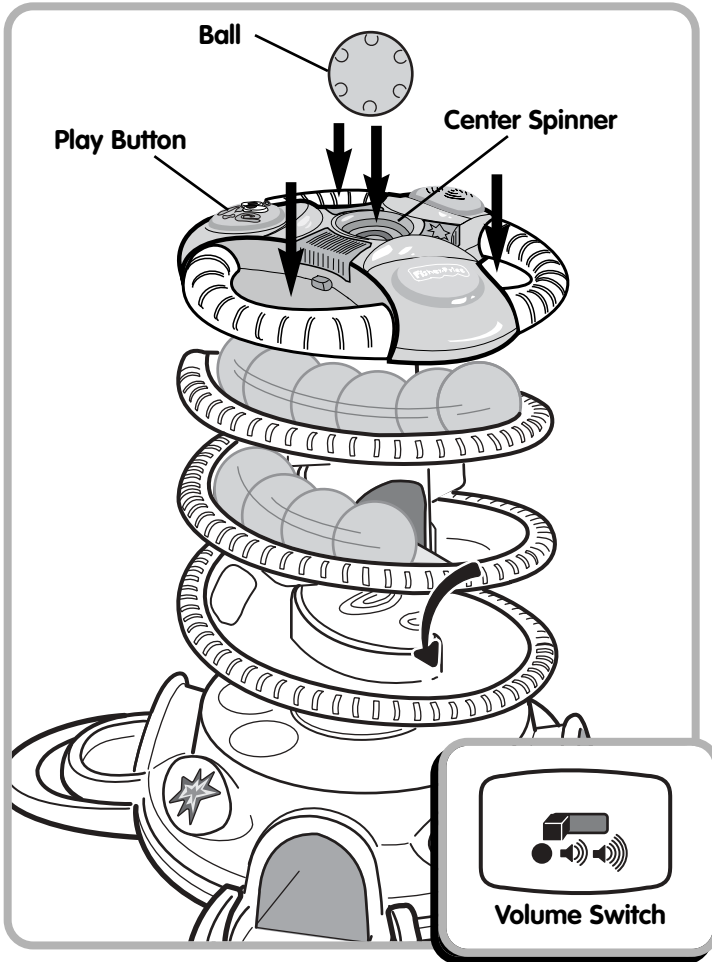
Decoration

Proper label application will help to keep the labels looking their best!



- Wash your hands before applying the labels.
- Make sure the areas where the labels will be applied are clean and dry. Wipe this product with a clean, soft, dry cloth to remove any dust or oils.
- For best results, do not attempt to apply a label more than once.
- Apply the labels as shown in the illustration above.

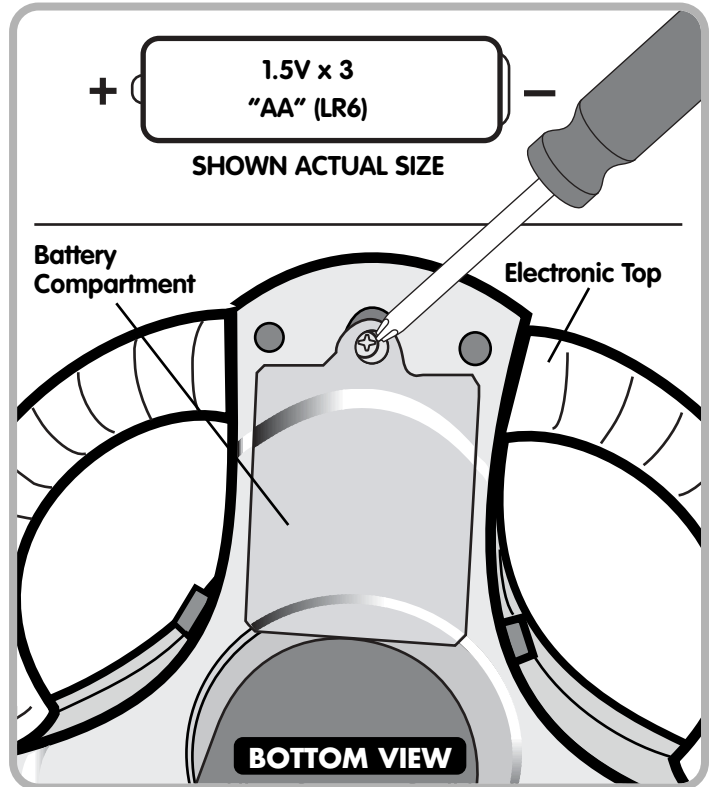
Lights and Sounds Fun!



- Locate the volume switch on underside of the electronic top.
- Slide the switch to the desired position: Off ●, On with low volume 🗣️ or On with higher volume 🗣️🗣️.
- For flashing lights and lively music, baby can place the ball in any one of the three openings on the top of the toy and push it through.
- Place the ball in the center spinner. Press the play button to see the ball twirl.

Battery Replacement

For best performance, we recommend replacing the batteries that came with this toy with three, new alkaline "AA" (LR6) batteries.



- Locate the battery compartment on the **underside** of the electronic top.
- Loosen the screw in the battery compartment door with a short shaft Phillips screwdriver and remove the door.
- Remove the exhausted batteries from the battery compartment. Properly discard the exhausted batteries.
- Insert three, "AA" (LR6) **alkaline** batteries.

Hint: We recommend using **alkaline** batteries for longer life.

- Replace the battery compartment door and tighten the screw with a Phillips screwdriver. Do not over-tighten.
- When sounds or lights from this toy become faint or stop, it's time for an adult to change the batteries!

Battery Safety Information

Batteries may leak fluids that can cause a chemical burn injury or ruin your toy. To avoid battery leakage:

- Do not mix old and new batteries or batteries of different types: alkaline, standard (carbon-zinc) or rechargeable (nickel-cadmium).
- Insert batteries as indicated inside the battery compartment.
- Remove batteries during long periods of non-use. Always remove exhausted batteries from the toy. Dispose of batteries safely. Do not dispose of batteries in a fire. The batteries may explode or leak.
- Never short-circuit the battery terminals.
- Use only batteries of the same or equivalent type, as recommended.
- Do not charge non-rechargeable batteries.
- Remove rechargeable batteries from the toy before charging.
- If removable, rechargeable batteries are used, they are only to be charged under adult supervision.

Care

Wipe this toy with a clean cloth dampened with a mild soap and water solution. Do not immerse this toy.

FCC Note (United States Only)

This equipment has been tested and found to comply with the limits for a Class B digital device, pursuant to Part 15 of the FCC Rules. These limits are designed to provide reasonable protection against harmful interference in a residential installation. This equipment generates, uses and can radiate radio frequency energy and, if not installed and used in accordance with the instructions, may cause harmful interference to radio communications. However, there is no guarantee that interference will not occur in a particular installation. If this equipment does cause harmful interference to radio or television reception, which can be determined by turning the equipment off and on, the user is encouraged to try to correct the interference by one or more of the following measures:

- Reorient or relocate the receiving antenna.
- Increase the separation between the equipment and receiver.
- Consult the dealer or an experienced radio/TV technician for help.

Note: Changes or modifications not expressly approved by the manufacturer responsible for compliance could void the user's authority to operate the equipment.

Consumer Information

Questions? We'd like to hear from you!

Call Fisher-Price® Consumer Relations, toll-free at **1-800-432-5437**, 8 AM - 6 PM EST Monday through Friday. Hearing-impaired consumers using TTY/TDD equipment, please call 1-800-382-7470. Or, write to: Fisher-Price® Consumer Relations, 636 Girard Avenue, East Aurora, New York 14052.

For countries outside the United States:

CANADA: Questions? 1-800-567-7724. Mattel Canada Inc., 6155 Freemont Blvd., Mississauga, Ontario L5R 3W2.

GREAT BRITAIN: [Mattel UK Ltd, Vanwall Business Park, Maidenhead SL6 4UB. Helpline: 01628 500302.](#)

AUSTRALIA: Mattel Australia Pty. Ltd., 658 Church Street, Locked Bag #870, Richmond, Victoria 3121 Australia. Consumer Advisory Service 1300 135 312.

NEW ZEALAND: 16-18 William Pickering Drive, Albany 1331, Auckland.

ASIA: Mattel East Asia Ltd, Room 1106, South Tower, World Finance Centre, Harbour City, Tsimshatsui, HK, China.